

# MicroCTD

## Estuarine Turbulence Profiler



### DESCRIPTION

The MicroCTD is a turbulence and CTD profiler for lakes, reservoirs and estuaries.

The MicroCTD was designed in consultation with estuarine physicists for turbulence measurements in the unique operating environments of tidally influenced shallow waters. The profiler is shortened in length so that it can be easily handled on small vessels, e.g. Zodiac, while maximizing the profiling range in the water column.

The MicroCTD uses the same microstructure sensor suite as the VMP series of profilers, with an oceanographic reference CT sensor now included as standard.



### CONFIGURATION

<b>Standard Sensors</b>	2x Shear Probe, 1x Micro-temperature (FP07), 2x Vibration Sensors, 1x Pressure, 1x Tilt Sensor, Conductivity-temperature Combo Sensor
<b>Optional Sensors</b>	Fluorometer-turbidity Combo Sensor, Micro-conductivity Sensor, Additional Micro-temperature (FP07)
<b>Uprising Profiling Kit</b>	Flotation and weight release hardware for uprising measurements (included).

### GENERAL SPECIFICATIONS

<b>Model</b>	MicroCTD (Internal Data Recording)
<b>Depth Range</b>	0 - 100 m
<b>Weight in Air/Water</b>	8 kg / 3 kg (other weights available)
<b>Length Housing/Overall</b>	0.78 m / 1 m
<b>Sampling Rate</b>	512 Hz / 64 Hz fast channel / slow channels (up to 2048 Hz available)
<b>Data Acquisition</b>	Internal recording

### SENSOR SPECIFICATIONS

	Range	Accuracy	Resolution	Bandwidth*
<b>Velocity Shear Probe</b>	0 - 10 s <sup>-1</sup>	5%	10 <sup>-3</sup> s <sup>-1</sup>	0.1 - 100 Hz
<b>Micro-Temperature FP07</b>	-5 - 35 °C	0.005 °C	10 <sup>-5</sup> °C	0 - 25 Hz
<b>Pressure</b>	50 / 100 bar	0.1% FS	5 × 10 <sup>-4</sup> bar	0 - 5 Hz
<b>Vibration Sensor</b>	±1g	2%	3 × 10 <sup>-5</sup> g	0.1 - 100 Hz
<b>Micro-Conductivity SBE7</b>	0 - 70 mS/cm	0.005 mS/cm	0.001 mS/cm	0 - 100 Hz
<b>CT sensor</b>	Conductivity	2 - 65 mS/cm	0.001 mS/cm	0 - 16 Hz
	Temperature	-3 - 45 °C	0.001 °C	
<b>FT sensor</b>	Fluorescence	0 - 400 ppb	0.01 ppb	0 - 100 Hz
	Turbidity	0 - 1000 FTU	0.3 FTU or 2% of measured value	

All specifications subject to change without notice.

\* other bandwidths available upon request  
+ higher-accuracy calibrations available upon request

**Rockland Scientific International Inc.**  
520 Dupplin Road,  
Victoria BC V8Z 1C1 Canada

tel +1-250-370-1688  
fax +1-250-370-1688  
toll free 1-877-370-1688

email info@RocklandScientific.com  
web www.RocklandScientific.com

Business No.: 82695-5544

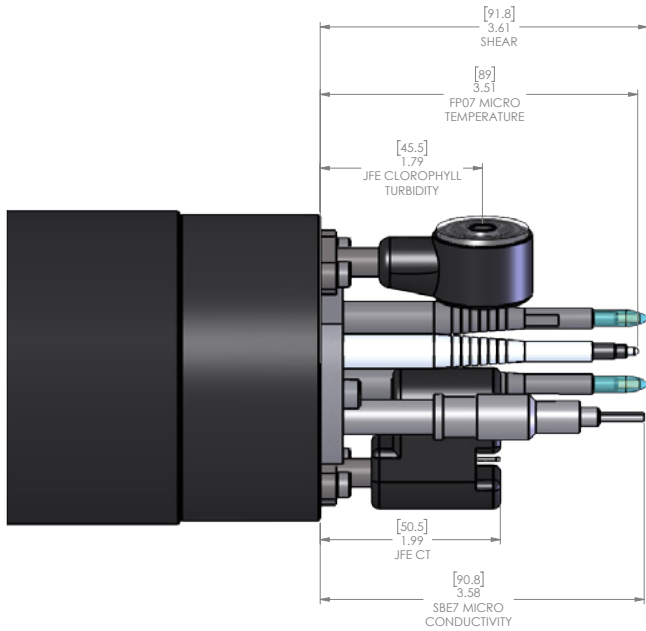


# MicroCTD

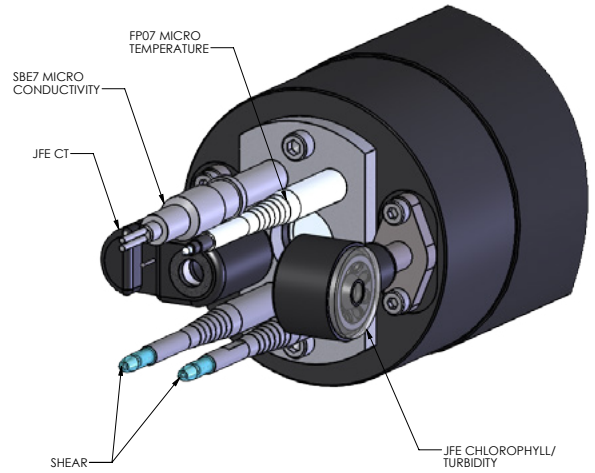
## Estuarine Turbulence Profiler



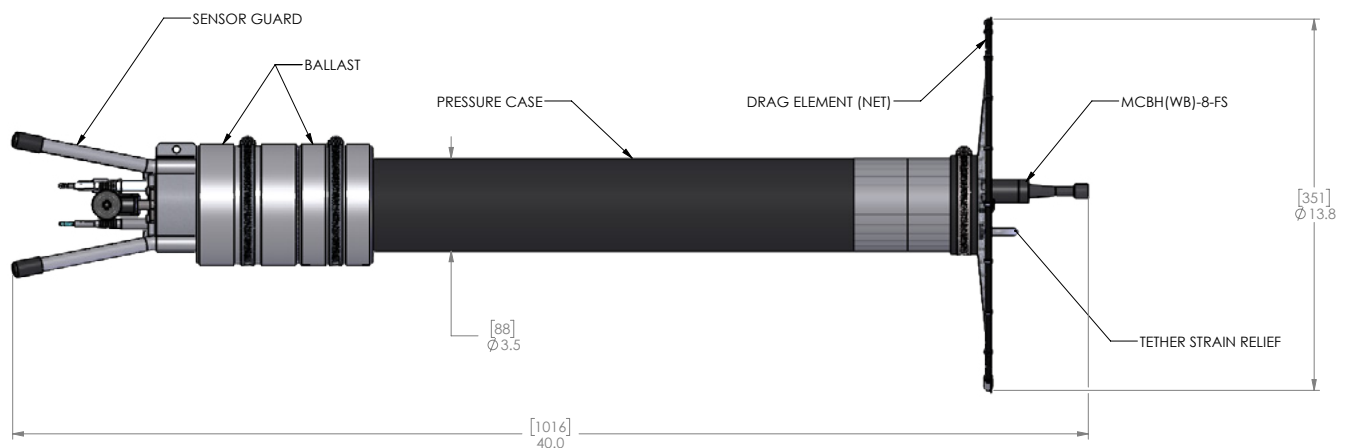
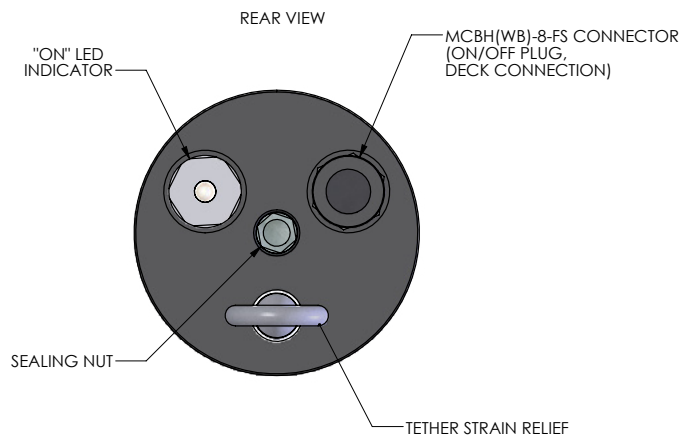
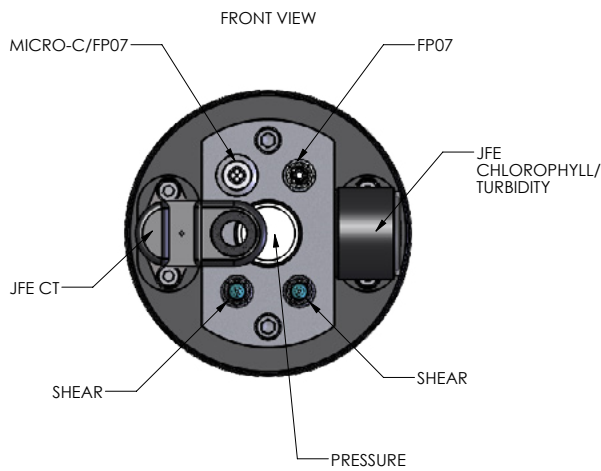
### HEIGHT OF SENSORS



### SENSOR ARRANGEMENT



### FRONT AND REAR BULKHEAD



This information contained in this drawing is the sole property of Rockland Scientific International. Any reproduction in part or as a whole without the written permission of Rockland Scientific International is prohibited.