

Handheld 2-D electro-magnetic current meter

AEM213-D

ISO9001



JQA0950

Easy field temperature and velocity measurements



- Depth sensor for desired depth measurement
- Robust design (no moving mechanical parts)
- Temperature sensor to track water structures
- Real time data reading (interface unit)



JFE Advantech Co., Ltd.

Handheld 2-D electro-magnetic current meter

AEM213-D

■ Description

AEM213-D electro-magnetic current meter with a display unit can provide the 2-D current speeds in real time. The instrument has a depth and a temperature sensor as well as the current sensor, enabling reliable current measurements at the desired depths. The compact and light-weight unit is easily portable, allowing you to use the instrument in a variety of situations.

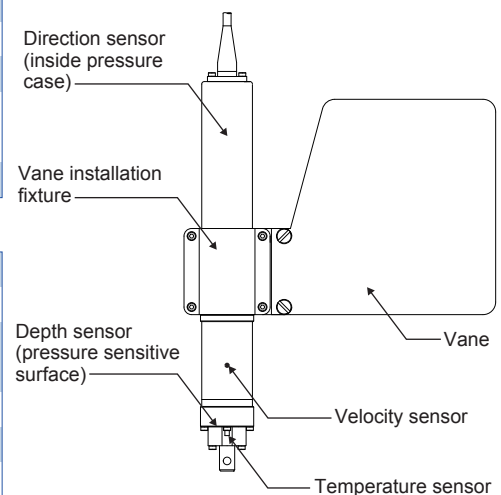
AEM213-D has a display unit with a flash memory. The observed data are shown in the display and then saved in the memory simultaneously. The data can be easily downloaded from the unit to a personal computer using a communication cable. The battery is a size C alkaline battery, allowing surveys for up to 10 hours.

■ Built-in Sensor Specifications

Parameter	Method	Measurement range	Resolution	Accuracy
Velocity	Electromagnetic induction	0 to $\pm 250\text{cm s}^{-1}$	0.1cm s^{-1}	$\pm 1\text{cm s}^{-1}$ or $\pm 2\%$ (0 to $\pm 50\text{cm s}^{-1}$)
Direction	Hole element compass	0 to 360°	0.1°	$\pm 2^\circ$
Depth	Semiconductor pressure sensor	0 to 50m	0.01m	$\pm 0.3\%$ FS
Temperature	Thermistor	-3 to 40°C	0.01°C	$\pm 0.02^\circ\text{C}$ (3 to 31°C)

■ Sensor Probe Specifications

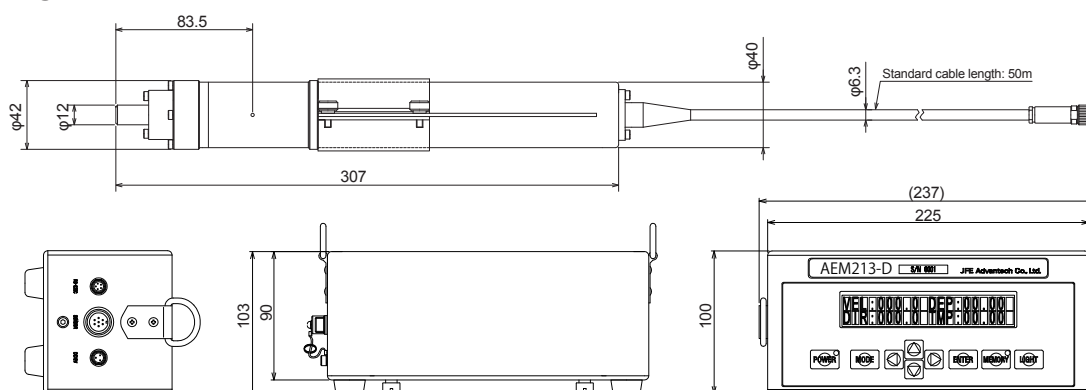
Cable length	Cable reinforced with Kevlar® fiber ($\Phi 6.1\text{mm}$, standard length: 50m)
Dimensions	$\Phi 42\text{mm} \times 307\text{mm}$
Material	Titanium (grade 2)
Weight	Approx. 1.0kg in air (excluding vane), 0.65kg in water (excluding vane)
Depth rating	200m depth equivalent



■ Display Area Specifications

Display parameters	Direction, velocity, temperature, depth
Memory medium	2MB flash memory, approx. 180,000 data sets
Power	Size C dry alkaline battery (Qty 4) (for approx. 10 hours of use), AC100V, DC12V
Material	ABS resin
Waterproof characteristic	IPX4 class equivalent
Dimensions	$W225\text{mm} \times H90\text{mm} \times D100\text{mm}$
Weight	Approx. 1.1kg (including batteries)

■ Drawing



※ Dimensions are in mm. ※ All specifications on this leaflet are subject to change without notice.

 **JFE Advantech Co., Ltd.**

JFE Ocean & River Instruments Division
URL: <http://www.jfe-advantech.co.jp/>

Head Office 3-48 Takahata cho, Nishinomiya, Hyogo 663-8202
TEL. +81-798-66-1783 FAX. +81-798-66-1654

Tokyo Head Office JFE Kuramae Bldg. 2F, 2-17-4 Kuramae, Taito ku, Tokyo 111-0051
TEL. +81-3-5825-5589 FAX. +81-3-5825-5591

Tohoku Sales Office TM Bldg. 2F, 1-3-1, Ichiban cho, Aoba ku, Sendai, Miyagi 980-0811
TEL. +81-22-711-7535 FAX. +81-22-711-7534