

Handheld 1-D electro-magnetic current meter

AEM1-DA

ISO9001



JQA0950

For real time flow measurements



- Shallow water usage (minimum 3cm depth)
- Robust design (no moving mechanical parts)
- Real time data reading (interface unit)



JFE Advantech Co., Ltd.

Handheld 1-D electro-magnetic current meter

AEM1-DA

■ Description

AEM1-DA is a 1-D electro-magnetic (EM) current meter for the flow measurements in rivers, streams and various waterways. The measurement range is 0 to 5m s⁻¹. The EM sensor can accurately measure water speeds at a shallow depth of 3cm. The display unit has a 2MB flash memory so that the data are saved with calendar information (up to 255 station data). In comparison with conventional propeller-type current meter, AEM1-DA is robust and extremely easy to be operated and maintained.

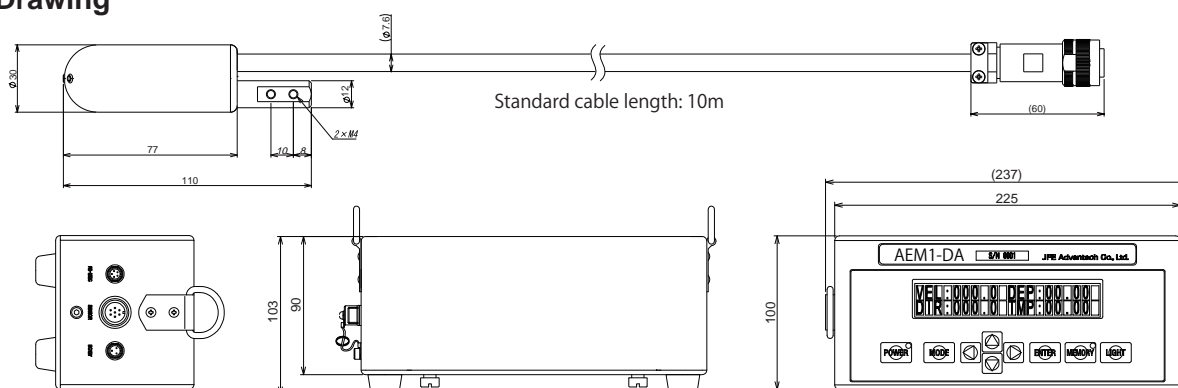
■ Sensor specifications

Principle	Electromagnetic induction
Measuring direction	1-D
Measuring range	0 to 5m s ⁻¹
Resolution	0.002m s ⁻¹
Accuracy	± 0.005m s ⁻¹ or ± 2%(0 to 0.5m s ⁻¹)
Minimum measured depth	3cm
Dimensions	Φ30mm×77mm
Cable length	10m (Maximum 50m extension possible)
Depth rating	30m depth equivalent

■ Display Area Specifications

Display	LCD, 20 characters, 2 lines
Displayed information	Velocity (m s ⁻¹), time, Block No.
Average time	Selectable from 1, 5, 10, 20, 40, 60 s
Data capacity	2MB, recordable up to 255 blocks
Logged information	Block number, measured time, velocity, average time
External output	RS-232C output 1.Memory data transfer 2.Real-time data transfer
Power	Size C dry alkaline battery (Qty 4) (For approx. 20 hours of use)
Dimensions	W225mm×H90mm×D100mm
Weight	Approx. 1.1kg
Material	ABS resin
Waterproof level	IPX4 class equivalent

■ Drawing



※ Dimensions are in mm. ※ All specifications on this leaflet are subject to change without notice.

 **JFE Advantech Co., Ltd.**

JFE Ocean & River Instruments Division

URL: <http://www.jfe-advantech.co.jp/>

Head Office 3-48 Takahata cho, Nishinomiya, Hyogo 663-8202
TEL. +81-798-66-1783 FAX. +81-798-66-1654

Tokyo Head Office JFE Kuramae Bldg. 2F, 2-17-4 Kuramae, Taito ku, Tokyo 111-0051
TEL. +81-3-5825-5589 FAX. +81-3-5825-5591

Tohoku Sales Office TM Bldg. 2F, 1-3-1, Ichiban cho, Aoba ku, Sendai, Miyagi 980-0811
TEL. +81-22-711-7535 FAX. +81-22-711-7534